

1.1.2.4 Low - Medium Power Thermal Sensors - Apertures to 17mm

50mW to 150W

Features

- Special purpose SV and HE absorbers
- For concentrated beams and pulses
- Convection air cooled
- CW to 30W or 50W, intermittent to 150W
- Ø17mm aperture

30(150)A-SV-17 /
30(150)A-HE-17

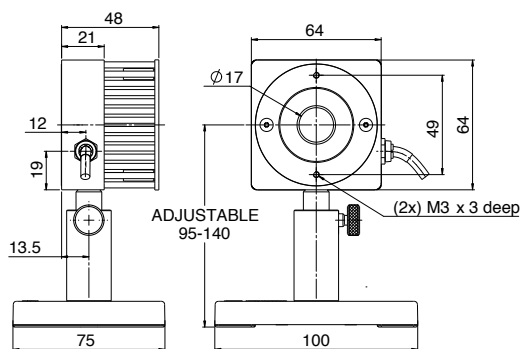


30(150)A-HE-DIF-17
Diffuser installed Diffuser off



Model	30(150)A-SV-17	30(150)A-HE-17	30(150)A-HE-DIF-17
Use	High power and energy density	High energy and average power pulsed lasers	Concentrated beam pulsed lasers - has removable diffuser
Absorber Type	SV	HE	HE
Spectral Range μm	0.19 - 11	0.19 - 0.625, 1.064, 2.1, 2.94	0.19 - 3 except for 0.625 - 0.9 ^(b)
Aperture mm	Ø17mm	Ø17mm	Ø17mm
Power Mode			
Power Range	100mW - 150W	50mW - 150W	50mW - 150W
Maximum Intermittent Power W		150W for 1.5min, 100W for 2.2min, 30W continuous	
Power Scales	150W / 30W / 3W	150W / 30W / 3W	150W / 30W / 3W
Power Noise Level	5mW	3mW	3mW
Maximum Average Power Density kW/cm ²	60 at 150W	0.5	0.5
Response Time with Meter (0-95%) typ. s	1.7	3.8	3.8
Power Accuracy +/-%	3	3	5 ^(b)
Linearity with Power +/-%	1	1.5	1.5
Energy Mode			
Energy Range	50mJ - 300J	60mJ - 200J	60mJ - 200J
Energy Scales	300J / 30J / 3J	200J / 30J / 3J	200J / 30J / 3J
Minimum Energy mJ	50	60	60
Maximum Energy Density J/cm ²	Pulse width ^(a)	Pulse width ^(a)	Pulse width <100ns, 10 - 50Hz
	Single	Single	Wavelength DIF IN DIF OUT
			1064nm 5 2
	<100ns 1 1	<100ns 5 2	532nm 4 2
	0.5ms 20 20	0.5ms 100 25	355nm 1.5 1
	2ms 50 50	2ms 150 40	
Cooling	convection / ballistic	convection / ballistic	convection / ballistic
Fiber Adapters Available (see page 88)	ST, FC, SMA, SC	ST, FC, SMA, SC	NA
Weight kg	0.3	0.3	0.4
Compliance	CE, China RoHS	CE, China RoHS	CE, China RoHS
Version			
Part number	7Z02724	7Z02722	7Z02729
Notes:	(a) At 1064nm. For shorter wavelengths derate maximum energy density to: 355nm 50% of above values 286nm 50% of above values 193nm 10% of above values		(b) With diffuser in, sensor is only calibrated for 1064nm, 532nm and 355nm wavelengths.

30(150)A-SV-17 / 30(150)A-HE-17



30(150)A-HE-DIF-17

