

# ATLEX-I Series



**New generation of compact powerful air-cooled excimer lasers for scientific, medical and industrial applications.**

## Key Features:

- High repetition rate up to 1000Hz
- TMC (Total-Metal-Ceramic) Vessel
- Corona Preionization
- Solid State Switch
- Laser Head Volume < 3 l
- Air Cooled / Optional Liquid Cooled
- Flushable Optics Holder
- Integrated 4-Valve System for Easy Gas Handling
- RS485, RS232, USB and FOC Interface for System Integration
- Energy Stabilization Unit
- Integrated Vacuum Pump & Halogen Filter
- Meets European CE Standard, RoHS Compliant



## Technical Data

Gas Medium	F <sub>2</sub>	ArF	KrF	XeCl	XeF	Units
Wavelength	157	193	248	308	351	nm
High Voltage Switching Technique	Solid State Switch					
Maximum Pulse Energy <sup>1)</sup>	1	8	15	8	7	mJ
Stabilized Pulse Energy	0.5	4	8	4	3.5	mJ
Stabilized Average Power						
ATLEX-300-I	0.15	1.2	2.4	1.2	1	W
ATLEX-500-I	0.25	2	4	2	1.7	W
Max. Rep. Rate						
ATLEX-300-I	300					Hz
ATLEX-500-I	500					Hz
Pulse Duration <sup>2)</sup>	5 - 8					ns
Beam Dimensions <sup>2)</sup> (V x H)	4 x 6					mm
Beam Divergence <sup>2)</sup> (V x H)	1 x 2					mrاد
Energy Stability (Stand. Dev.)	< 2					%
Dimensions (L x W x H)	540 x 470 x 370					mm
Weight	60					kg
Cooling	Air / Liquid					
Power Requirements	230 VAC / 10 A / 50-60 Hz / 1 Phase					

All specifications are typical data and subject to change without notice due to product improvements.

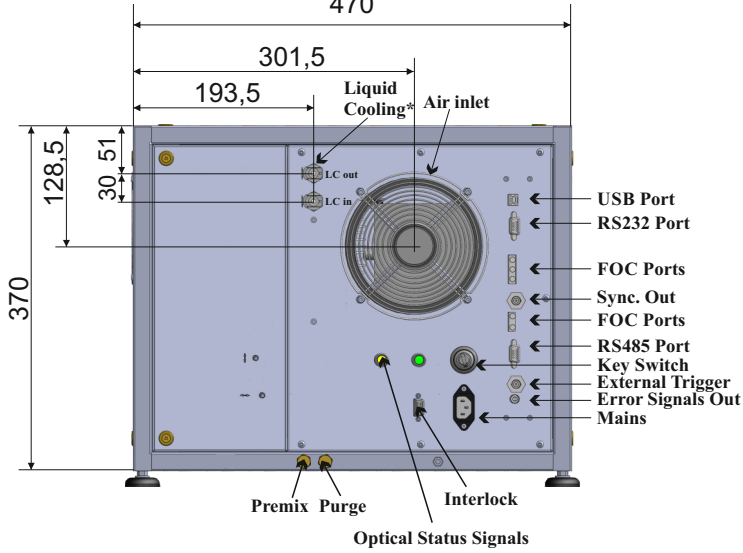
<sup>1)</sup> Measured at 20Hz; allow 10% reduction of output energy and power for laser equipped with stabilization mode

<sup>2)</sup> Typical Value, FWHM

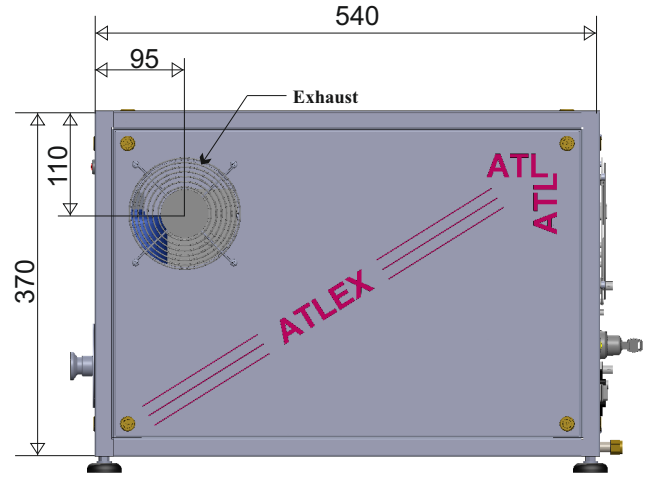
# ATLEX-I Series Dimensions



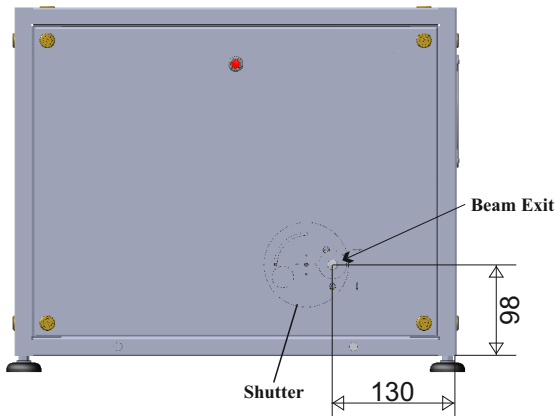
**Rear view**  
470



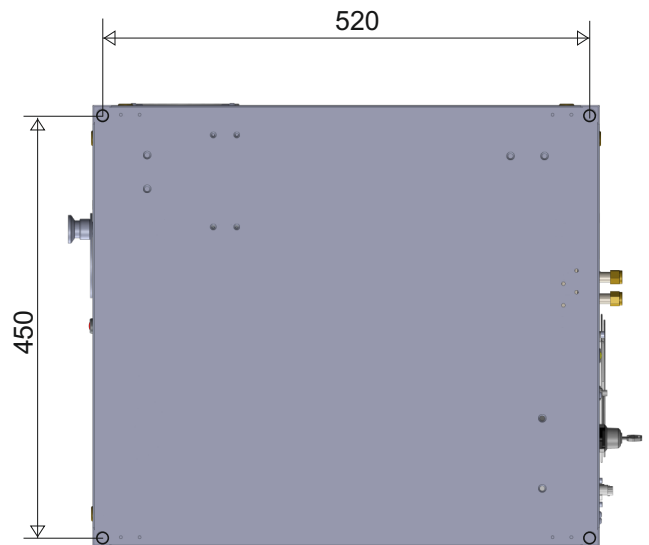
**Side view**



**Front view**



**Bottom view**



\*Optional

All dimensions in mm

ATLEX-I complies with the Federal Regulations (21 CFR Subchapter J) as administered by the Center for Devices and Radiological Health.

**ATL Lasertechnik GmbH**  
Burger Str. 28  
D-42929 Wermelskirchen  
Tel.: +49 (2196) 88 79 893  
Fax: +49 (2196) 88 79 895  
Internet: [www.atl-laser.de](http://www.atl-laser.de)



Visible and invisible Laser Radiation. Avoid eye or skin exposure to direct or scattered Radiation. CLASS IV Laser radiation product per EN60825-1 (1994).