

ATLEX-1000-I Series



Compact high repetition rate, air cooled excimer lasers.

Key Features:

- High Repetition Rate (up to 1000Hz)
- TMC (Total-Metal-Ceramic) Vessel
- Corona Preionization
- Solid State Switch
- Laser Head Volume < 3 l
- Air Cooled / Optional Liquid Cooled
- Flushable Optics Holder
- Integrated 4-Valve System for Easy Gas Handling
- RS485, RS232, USB and FOC Interface for System Integration
- Energy Stabilization Mode
- Integrated Vacuum Pump & Halogen Filter
- Meets European CE Standard, RoHS Compliant



Technical Data

Gas Medium	ArF	KrF	Units
Wavelength	193	248	nm
High Voltage Switching Technique	Solid State Switch	Solid State Switch	
Max. Rep. Rate	1000	1000	Hz
Max. Pulse Energy ¹⁾	10	15	mJ
Max. Average Power	8	10	W
Pulse Duration ²⁾	5 - 8		ns
Beam Dimensions ²⁾ (V x H)	4 x 6		mm
Beam Divergence ²⁾ (V x H)	1 x 2		mrad
Energy Stability (Stand. Dev.)	< 3		%
Dimensions (L x W x H)	540 x 470 x 370		mm
Weight	60		kg
Cooling	Air / Optional Liquid		
Power Requirements	230 VAC / 10 A / 50-60 Hz / 1 Phase		

All specifications are typical data and subject to change without notice due to product improvements.

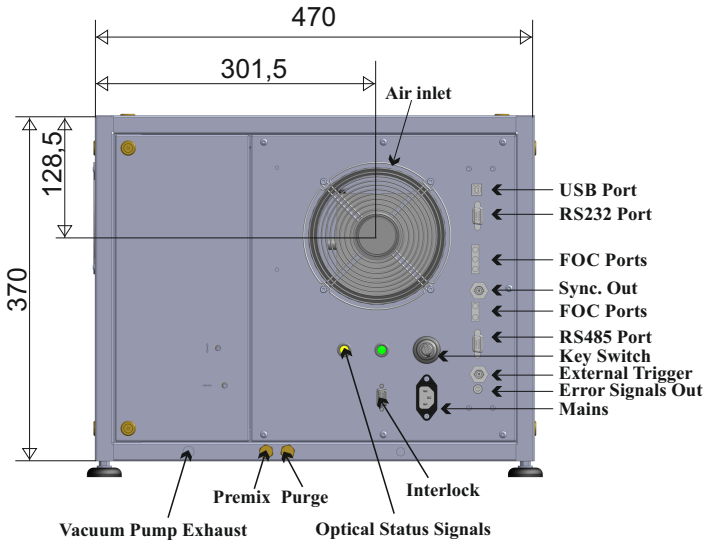
¹⁾ measured at low rep. rates; allow 10% reduction of output energy and power for laser equipped with stabilization mode

²⁾ Typical Value, FWHM

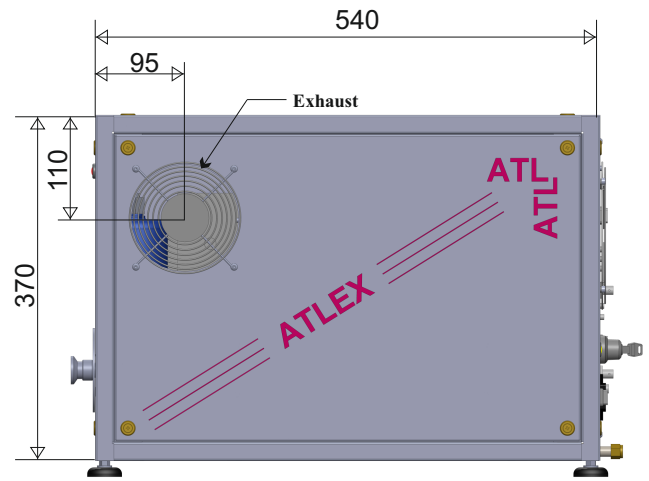
ATLEX-1000-I Series Dimensions



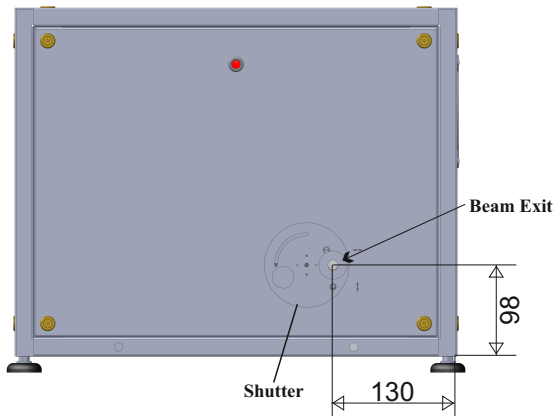
Rear view



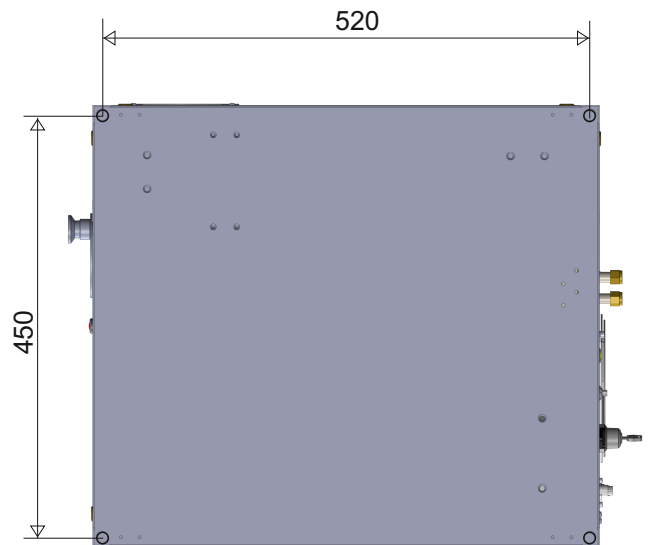
Side view



Front view



Bottom view



All dimensions in mm

ATLEX-1000-I complies with the Federal Regulations (21 CFR Subchapter J) as administered by the Center for Devices and Radiological Health.

ATL Lasertechnik GmbH
Burger Str. 28
D-42929 Wermelskirchen
Tel.: +49 (2196) 88 79 893
Fax: +49 (2196) 88 79 895
Internet: www.atl-laser.de



Visible and invisible Laser Radiation. Avoid eye or skin exposure to direct or scattered Radiation. CLASS IV Laser radiation product per EN60825-1 (1994).